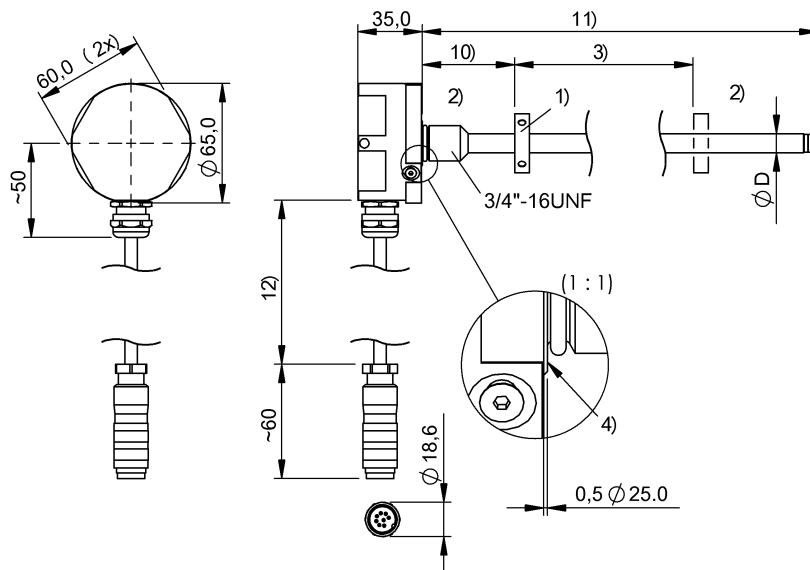


Magnetostrictive Sensors
BTL7-A510-M0254-W-K01-S32
Order Code: BTL1M1Y

BALLUFF



1) not included in scope of delivery, 2) Non-usable area, 3) Nominal length = Measuring length, 4) Mounting surface, 10) Null point, 11) Installation length, 12) Cable length



Basic features

Approval/Conformity	CE UKCA cULus WEEE
Magnets, number (factory setting)	1
Magnets, number max.	1

Electrical connection

Bending radius min., fixed cable	5 x D
Bending radius min., flexible cable	15 x D
Cable diameter D	6.4...7 mm
Cable length L	1 m, drag chain compatible
Connection	Cable with connector, M16x0.75, 8-pin, 1.00 m, PUR
Connection version	axial
Polarity reversal protected	Ub up to 36 V
Short-circuit protection	to GND and to 36 V DC

Electrical data

Current consumption max. at 24 V DC	100 mA
Error signal Ua falling	-0.5 V
Error signal Ua rising	10.5 V
Galvanic isolation	no
Inrush current	≤ 500 mA/10 ms
Operating voltage Ub	10...30 VDC
Output current max.	5 mA
Output signal adjustable	using programming inputs
Overvoltage protection	Ub up to 36 V
Switch-on delay max.	600 ms
Voltage-proof up to (GND to housing)	500 V AC

Magnetostrictive Sensors
BTL7-A510-M0254-W-K01-S32
Order Code: BTL1M1Y



Environmental conditions

Ambient temperature	-40...85 °C
Cable temperature, fixed routing	-40...90 °C
Cable temperature, flexible routing	-5...90 °C
EN 55016-2-3, Radiation	For industrial and residential use
EN 60068-2-27, Continuous shock	150 g, 2 ms
EN 60068-2-27, Shock	150 g, 6 ms
EN 60068-2-6, Vibration	20 g, 10...2000 Hz
EN 61000-4-2, ESD	Severity Level 3
EN 61000-4-3, RFI	Severity Level 3
EN 61000-4-4, Burst	Severity Level 3
EN 61000-4-5, Surge	Severity Level 2
EN 61000-4-6, High-frequency fields	Severity Level 3
EN 61000-4-8 Magnetic fields	Severity Level 4
IP rating	IP68
Relative humidity	≤ 90 %, non-condensing
Storage temperature	-40...100 °C
Temperature coefficient typ.	≤ 30 ppm/K at 50% of nominal stroke 500mm

Functional safety

MTTF (40 °C)	72 a
--------------	------

Interface

Analog output	Analog, voltage 0...10 V Analog, voltage 10...0 V
---------------	---

Material

Cable flame-resistant	IEC 60332-1
Cable jacket, material	PUR
Housing material	1.4305 stainless steel
Material flange	1.4404 stainless steel 1.4429 stainless steel 1.4435 stainless steel 1.4571 stainless steel
O-ring material	FKM
Protection tube material	1.4571 stainless steel

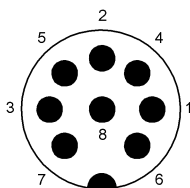
Mechanical data

Housing diameter	65 mm
Installation length from contact surface	365 mm
Mounting part	Threaded flange 3/4-16UNF
Null point	50.8 mm
Pressure rating max.	600 bar
Protection tube diameter	10.2 mm
Tightening torque max.	100 Nm

Range/Distance

Measuring length	254 mm
Non-linearity max.	±50 µm
Repeat accuracy	± 10 µm
Sampling frequency max.	2000 Hz

Connector Drawings



Wiring Diagrams

Pin	
1	NC
2	0V
3	10...0 V
4	La
5	0...10 V
6	GND
7	+24 V DC
8	Lb